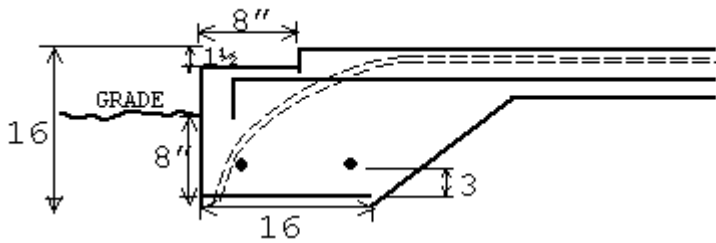
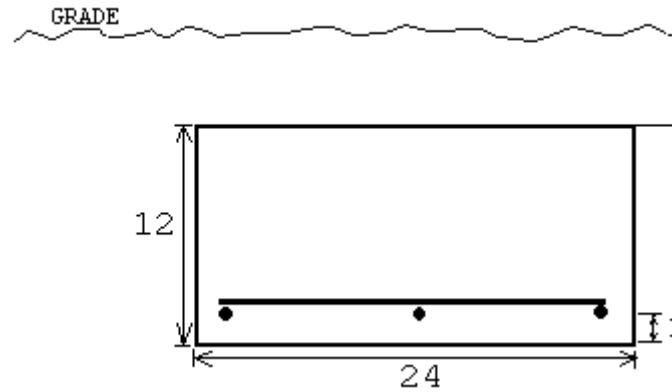


MINIMUM SLAB REQUIREMENTS

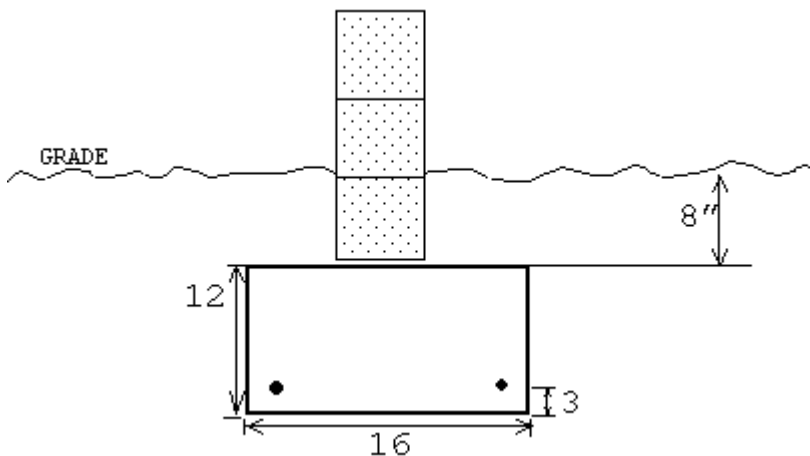
One Story Construction:



16"x16" monolithic concrete footing with two #5 rebar continuous bottom; extra layer of welded wire mesh*; transfer reinforcement #4's at 12" O.C. 5' long



24"x24"x12" concrete footing with three #5's, bottom, each way - isolated footing.



12"x16" concrete footing with two #5's continuous. Continuous wall footing for one-story construction.

Slabs for Utility Sheds & Pool Screened Patios



8"x8" thickened edge with one #5 bottom; one layer of welded wire mesh.

* Welded wire mesh must be extended 30" from inside of footer

Note: The transition from the finished floor to a patio shall differ in height by either:

- 1/2" or less, or
- a step of no less than 4" and no more than 7-3/4"

FBC §1007.3.1